

NMRA Standard	
Layout Command Control™ (LCC) CAN Physical Layer	
July 22, 2024	S-9.7.1.1

Adopted as a NMRA Standard

The OpenLCB Standard document appended to this cover sheet has been formally adopted as a NMRA Standard by the NMRA Board of Directors on the date shown in the *Adopted* column in the *Version History* table below.

Version History

Date	Adopted	Summary of Changes
Sep 17, 2010		Initial version prepared for Feb-2011 NMRA BoD meeting.
Jun 11, 2012	Aug 2, 2012	Changes from Feb-2011, Jul-2011 & Feb 2012 NMRA BoD meetings and community feedback. Formatting changes to facilitate adding a cover sheet and date disambiguation.
Feb 17, 2015	Feb 20, 2016	Changed title to “Layout Command Control” Changed document numbering and file name
Apr 25, 2021	July 2, 2021	Changed LCC logo to include the ® symbol Changed “Layout Command Control” to have the ™ symbol Added the NMRA Legal Disclaimer fine-print Changed the OpenLCB license to “Creative Commons Attribution-ShareAlike 4.0 International”
July 22, 2024	Jan 24, 2025	Add a section on Electronic Labeling Add a section on Injection Current Added discussion of CAN bit timing Standardize the use of ALT_L/ALT_H for the NMRA S-9.1.2 DCC signal Clarify discussion of gateways and repeaters

Important Notices and Disclaimers Concerning NMRA Standards Documents

The Standards (S), Recommended Practices (RP), Technical Note (TN) and Technical Information (TI) documents of the National Model Railroad Association (“NMRA Standards documents”) are made available for use subject to important notices and legal disclaimers. These notices and disclaimers, or a reference to this page, appear in all standards and may be found under the heading “Important Notices and Disclaimers Concerning NMRA Standards Documents.”

Notice and Disclaimer of Liability Concerning the Use of NMRA Standards Documents

NMRA Standards documents are developed within the Standards and Conformance Department of the NMRA in association with certain Working Groups, members, and representatives of manufacturers and sellers. NMRA develops its standards through a consensus development process, which brings together volunteers representing varied viewpoints and interests to achieve the final product. NMRA Standards documents are developed by volunteers with modeling, railroading, engineering, and industry-based expertise. Volunteers are not necessarily members of NMRA, and participate without compensation from NMRA.

NMRA does not warrant or represent the accuracy or completeness of the material contained in NMRA Standards documents, and expressly disclaims all warranties (express, implied and statutory) not included in this or any other document relating to the standard or recommended practice, including, but not limited to, the warranties of: merchantability; fitness for a particular purpose; non-infringement; and quality, accuracy, effectiveness, currency, or completeness of material. In addition, NMRA disclaims any and all conditions relating to results and workmanlike effort. In addition, NMRA does not warrant or represent that the use of the material contained in NMRA Standards documents is free from patent infringement. NMRA Standards documents are supplied “AS IS” and “WITH ALL FAULTS.”

Use of NMRA Standards documents is wholly voluntary. The existence of an NMRA Standard or Recommended Practice does not imply that there are no other ways to produce, test, measure, purchase, market, or provide other goods and services related to the scope of the NMRA Standards documents. Furthermore, the viewpoint expressed at the time that NMRA approves or issues a Standard or Recommended Practice is subject to change brought about through developments in the state of the art and comments received from users of NMRA Standards documents.

In publishing and making its standards available, NMRA is not suggesting or rendering professional or other services for, or on behalf of, any person or entity, nor is NMRA undertaking to perform any duty owed by any other person or entity to another. Any person utilizing any NMRA Standards document, should rely upon their own independent judgment in the exercise of reasonable care in any given circumstances or, as appropriate, seek the advice of a competent professional in determining the appropriateness of a given NMRA Standards documents.

IN NO EVENT SHALL NMRA BE LIABLE FOR ANY DIRECT, INDIRECT, INCIDENTAL, SPECIAL, EXEMPLARY, OR CONSEQUENTIAL DAMAGES (INCLUDING, BUT NOT LIMITED TO: THE NEED TO PROCURE SUBSTITUTE GOODS OR SERVICES; LOSS OF USE, DATA, OR PROFITS; OR BUSINESS INTERRUPTION) HOWEVER CAUSED AND ON ANY THEORY OF LIABILITY, WHETHER IN CONTRACT, STRICT LIABILITY, OR TORT (INCLUDING NEGLIGENCE OR OTHERWISE) ARISING IN ANY WAY OUT OF THE PUBLICATION, USE OF, OR RELIANCE UPON ANY STANDARD OR RECOMMENDED PRACTICE, EVEN IF ADVISED OF THE POSSIBILITY OF SUCH DAMAGE AND REGARDLESS OF WHETHER SUCH DAMAGE WAS FORESEEABLE.

Translations

NMRA’s development of NMRA Standards documents involves the review of documents in English only. In the event that an NMRA Standards document is translated, only the English version published by NMRA is the approved NMRA Standards document.

Official Statements

A statement, written or oral, that is not processed in accordance with NMRA policies for distribution of NMRA communications, or approved by the Board of Directors, an officer or committee chairperson, shall not be considered or inferred to be the official position of NMRA or any of its committees and shall not be considered to be, nor be relied upon as, a formal position of NMRA.

Comments on Standards

Comments for revision of NMRA Standards documents are welcome from any interested party, regardless of membership. However, **NMRA does not provide interpretations, consulting information, or advice pertaining to NMRA Standards documents.**

Suggestions for changes in documents should be in the form of a proposed change of text, together with appropriate supporting comments. Since NMRA standards represent a consensus of concerned interests, it is important that any responses to comments and questions also receive the concurrence of a balance of interests. For this reason, NMRA, its departments, Working Groups or committees cannot provide an instant response to comments, or questions except in those cases where the matter has previously been addressed. For the same reason, NMRA does not respond to interpretation requests. Any person who would like to participate in evaluating comments or in revisions to NMRA Standards documents may request participation in the relevant NMRA working group.

Laws & Regulations

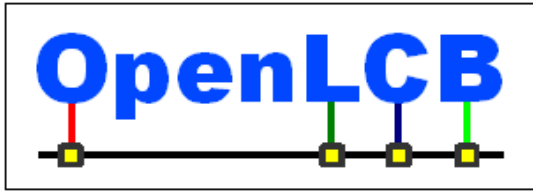
Users of NMRA Standards documents should consult all applicable laws and regulations. Compliance with the provisions of any NMRA Standards document does not constitute compliance to any applicable regulatory requirements. Implementers of the standard are responsible for observing or referring to the applicable regulatory requirements. NMRA does not, by the publication of NMRA Standards documents, intend to urge action that is not in compliance with applicable laws, and NMRA Standards documents may not be construed as doing so.

Copyrights

NMRA Standards documents are copyrighted by NMRA under US and international copyright laws. They are made available by NMRA and are adopted for a wide variety of both public and private uses. These include both use, by reference, in laws and regulations, and use in private self-regulation, standardization, and the promotion of modeling, structural and engineering practices and methods. By making NMRA Standards documents available for use and adoption by public authorities and private users, NMRA does not waive any rights in copyright to the NMRA Standards documents.

IMPORTANT NOTICE

NMRA Standards documents do not guarantee or ensure safety, security, health, or environmental protection, or ensure against interference with or from other systems, devices or networks. NMRA Standards documents development activities consider research and information presented to the standards development group in developing any safety recommendations. Other information about safety practices, changes in technology or technology implementation, or impact by peripheral systems also may be pertinent to safety considerations during implementation of the standard. Implementers and users of NMRA Standards documents are responsible for determining and complying with all appropriate safety, security, environmental, health, and interference protection practices and all applicable laws and regulations.



OpenLCB Standard	
CAN Physical Layer	
July 22, 2024	Adopted

1 Introduction (Informative)

This document defines the physical layer for carrying OpenLCB-CAN over a single Controller Area Network (CAN) bus. It is not otherwise normative.

2 Intended Use (Informative)

- 5 Conforming OpenLCB CAN nodes can be connected by cables to form a linear CAN bus with optional short stubs. OpenLCB CAN nodes generally have two RJ45 modular connectors and can be daisy-chained together with suitable computer-network (“Ethernet”) cables. A CAN terminator is installed by the user at each end of the main bus.

10 A limited amount of power can be distributed via the cable, allowing a few nodes to draw their power from a nearby (less than 20 ft / 6m) source attached to the common bus.

3 References and Context (Normative)

In this document

- “RJ45” refers to the miniature 8 position unkeyed plug and jack defined in sections Section 6.1.1.3 and Section 6.1.1.4, respectively, of the TIA-968-A specification.
- 15 • “UTP” refers to CAT-3 or better cable as defined in TIA/EIA-568-B or the successor TIA/EIA- 568-C. This specifically includes CAT-5e cable.
- “CAN” refers to the electrical and protocol specifications as defined in ISO 11898-1:2003 and ISO 11898-2:2003 and their successors.
- 20 • NMRA S-9.1.2 Power Station Interface, which specifies options for interfacing DCC Command Stations with DCC Power Stations.

External certification of parts shall be accepted for conformance to these standards. Conformance with a later version of a standard shall be accepted as conformance with the referenced versions.

4 Physical Interconnection (Normative)

- 25 CAN connections between nodes shall be made using UTP cable. There shall be a RJ45 plug on the cable and RJ45 jack on the node unless the cable is permanently attached to the node.

The signal, conductor and pair assignments shall be:

Conductor	Signal Name	TIA/EIA-568-A (Informative)	TIA/EIA-568-B (Informative)
1	CAN_H	white/green	white/orange
2	CAN_L	green	orange
3	CAN_GND	white/orange	white/green
4	ALT_L	blue	blue
5	ALT_H	white/blue	white/blue
6	CAN_SHIELD	orange	green
7	PWR_NEG	white/brown	white/brown
8	PWR_POS	brown	brown

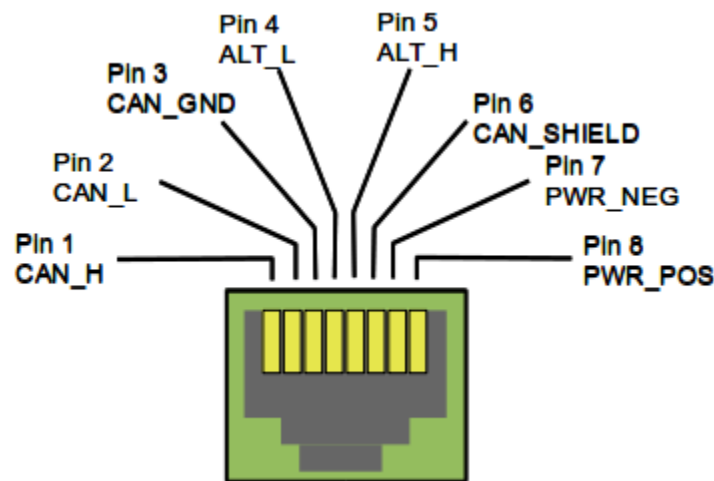


Figure 1: Jack viewed from plug side

30

Cables, including cables attached to nodes, shall carry conductors 1 & 2 as a pair, and conductors 3 & 6 as a pair.

Cables may, but are not required to, carry conductors 4 and 5. Conductors 4 and 5, if present, shall be carried as a pair.

35 Cables may, but are not required to, carry conductors 7 and 8. Conductors 7 and 8, if present, shall be carried as a pair.

If a node provides two or more connections to a single CAN segment, conductors 1 through 8 shall be provided on all connections. Conductors 1, 2, 3, 6, and 7 shall be connected in parallel on all connections to the single segment. If the node does not provide or amplify the ALT_L and ALT_H signals on pins 4 and 5, the pin 4 signal and the pin 5 signal on all connectors to the single segment shall each be separately connected in parallel. If the node does not provide power on pin 8 on all

40

connectors, pin 8 on all connectors to the single segment shall be connected in parallel. All wiring discussed in this paragraph shall be rated to carry at least 1A.

Nodes shall connect conductors 3 and 6 . This connection shall be rated to carry at least 1A.

- 45 A node may, but is not required to, connect conductor 7 with conductors 3 and 6. Nodes that require conductor 7 to be connected to conductors 3 and 6 for proper operation shall connect conductor 7 to conductors 3 and 6.

Voltages of up to 27 volts AC (peak) or either polarity DC on the ALT_L / ALT_H conductors 4 and 5 shall not damage the node nor prevent normal operation of the node.

- 50 Voltages of up to 27 volts AC (peak) or either polarity DC on the PWR_NEG / PWR_POS conductors shall not permanently damage the node.

5 Data Transport (Normative)

Data shall be transferred using a CAN signal at 125kbps and CAN frame protocol.

Any devices providing bus termination shall conform to CAN requirements for that termination.

- 55 A node may, but is not required to, provide a method for bus termination as part of the node. If so, there shall be a user-accessible method for enabling and disabling the termination, and the node shall be shipped from the original manufacturer with the termination disabled.

5.1 CAN Bit Timing

- 60 A node shall have its CAN bit timing configured¹ to support a maximum bus length of at least 300m and peer clock tolerance of 0.9% across the minimum ambient operating temperature range of 0°C to 50°C. Nodes shall have an oscillator tolerance of 0.9% or better.

6 ALT_L / ALT_H

- 65 The ALT_L / ALT_H pins 4 and 5 are available for alternate uses. This section describes the currently approved uses for the ALT_L / ALT_H conductors. Additional uses may be approved and added to this document in the future. All uses of ALT_L/ALT_H shall be visibly labeled on the node, and documented in the accompanying product literature.

6.1 DCC Signal

- 70 NMRA Standard S-9.1.2 defines the “Power Station Interface” for DCC power stations, more commonly known as DCC boosters. ALT_L / ALT_H may, but are not required to, be used to carry the “Power Station Interface” signals as described in NMRA Standard S-9.1.2.

The NMRA Standard S-9.1.2 only allows for bipolar signals. ALT_L shall be the “negative” voltage and ALT_H shall be the “positive” voltage during the first half of a DCC bit as described in the NMRA Standard S-9.1.2. The polarity shall be reversed during the second half of the DCC bit.

¹There are specific recommended values in the OpenLCB CAN Physical Technical Note.

75 CAN_GND and CAN_SHIELD shall be used as the “reference” ground if NMRA S-9.1.2 Driver/Receiver Interface mode is used. CAN_GND, CAN_SHIELD, PWR_NEG, and the outside shielding of a potential STP cable shall not be utilized to satisfy any NMRA S-9.1.2 requirements for a Power Station Interface “common”.

80 A Full Scale Interface DCC signal consumer shall not assume that ALT_L and ALT_H signals are referenced to CAN_GND, but support arbitrary common mode voltages, including when these signals are floating (galvanically isolated) from CAN_GND.

A Full Scale Interface DCC signal source may, but is not required to produce the ALT_L and ALT_H signals as referenced to CAN_GND.

85 ALT_L and ALT_H shall not have a connection to CAN_GND, CAN_SHEILD, PWR_NEG, or any other signal in the physical interconnection described in section 4 that is less than 4K ohms impedance at DC in any DCC signal consumer node.

A node that either sources or consumes the DCC signal shall be permanently labeled as such in a location visible to the user. Nodes that do not supply or consume the DCC signal do not require labeling, even though all nodes are required to pass through the ALT_L / ALT_H signals, regardless as to whether they consume or source these signals.

90 An OpenLCB node that is a source or consumer of the DCC signal shall conform to the requirements in NMRA Standard S-9.1.2 in order to be considered in compliance with this Standard. Please refer to NMRA Standard S-9.1.2 for any additional requirements. The requirements in NMRA Standard S-9.1.2 are not applicable to OpenLCB nodes that do not source or consume a DCC signal.

7 Supply of Power (Normative)

95 A node may, but is not required to, provide power to the cable PWR_POS / PWR_NEG conductors.

If a node provides power, it shall provide at least 9VDC and no more than 15VDC from zero current draw up to its specified maximum current. Its specified maximum current shall not exceed 500 mA. The specified maximum current shall be permanently written on the node in a location visible to the user. This label is required whether or not the node provides power to the cable.

100 8 Consumption of Power (Normative)

105 Nodes may, but are not required to, draw power from the PWR_POS / PWR_NEG conductors in the cable. Nodes shall not draw more than 500 mA at any PWR_POS / PWR_NEG voltage from 7.5VDC to 15VDC. Nodes that draw power shall operate properly with a supply voltage of 7.5VDC to 15VDC on the PWR_POS / PWR_NEG conductors. The maximum current drawn by each node shall be permanently written on that node in a location visible to the user. This label is required whether or not the node draws power from the cable.

9 Injection Current (Normative)

In addition to the current and voltage requirements placed on the individual conductors of the Physical Interconnection signals elsewhere in this document, the current on all eight conductors going into and

- 110 out of a node shall sum to zero. In order to account for measurement tolerances, for testing purposes,
zero current shall be defined as “zero +/-1mA”.

10 Electronic Labeling

- 115 Electronic labeling, or e-labeling, may be used in place of a physical label to meet the labeling
requirements described in sections 6.1, 7, and 8 above. E-labeling shall be accepted in place of a
physical label when the device, or a required accessory to the device, includes a display available to the
user.

The e-label shall be accessible in no more than three steps from the product’s main or home menu.

Table of Contents

1 Introduction (Informative).....	1
2 Intended Use (Informative).....	1
3 References and Context (Normative).....	1
4 Physical Interconnection (Normative).....	1
5 Data Transport (Normative).....	3
5.1 CAN Bit Timing.....	3
6 ALT_L / ALT_H.....	3
6.1 DCC Signal.....	3
7 Supply of Power (Normative).....	4
8 Consumption of Power (Normative).....	4
9 Injection Current (Normative).....	4
10 Electronic Labeling.....	5